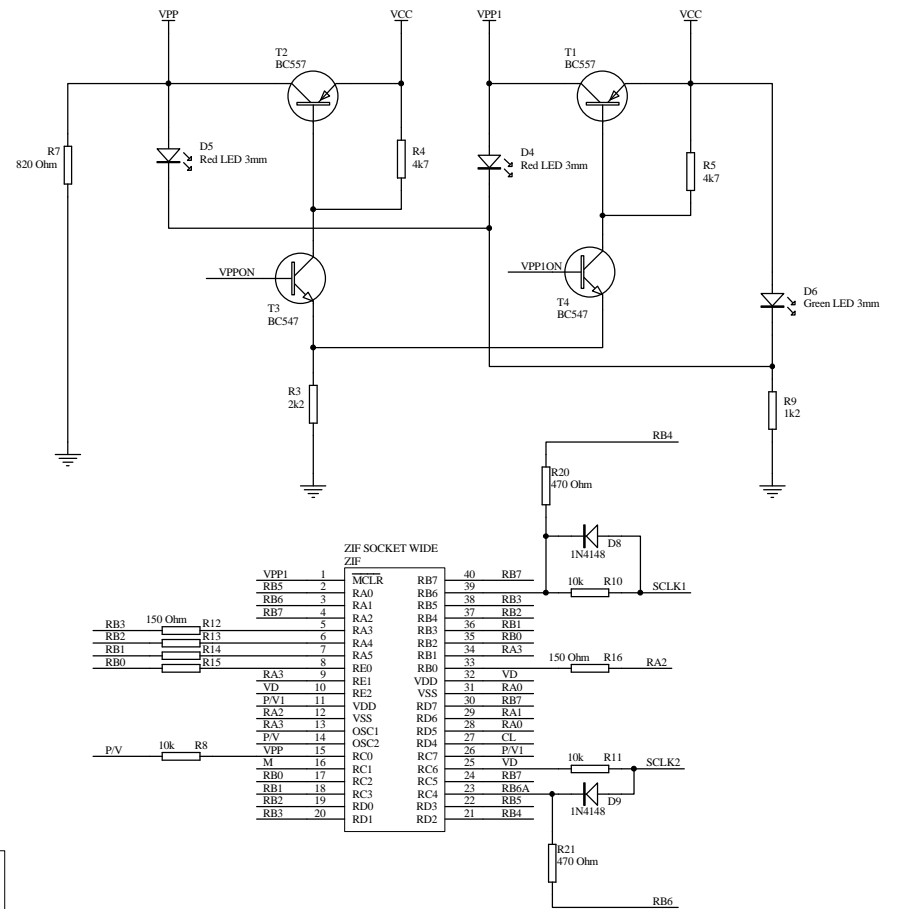
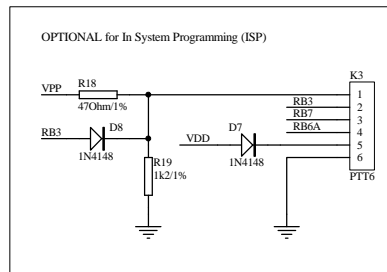
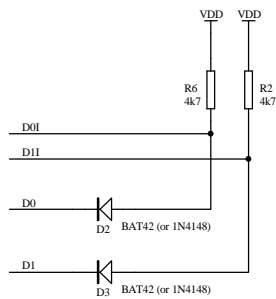
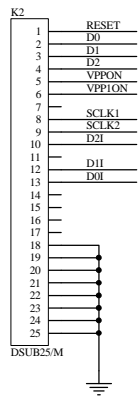
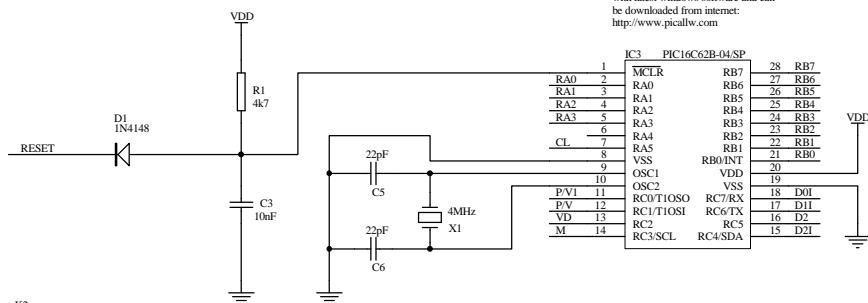


For working PICALL hardware you need preprogrammed PIC16C62. For more info and ordering information please read PICALLW.HLP file, which is included with latest windows software and can be downloaded from internet: <http://www.picallw.com>



PICALL HARDWARE for PIC, SX, AVR microcontrollers and 24Cxx serial EEPROMS
 (c) by Bojan Dobaj, Slovenia, 1998-2001
 Revision 3.5 May 2002 (based on version 3.4 January 2001)